

067

BD 3-phase current (voltage) Transmitter

1、 Overview

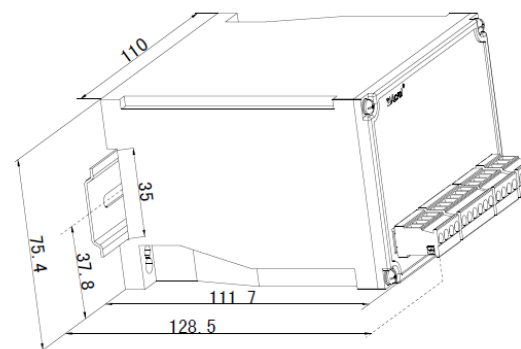
A device works as a transmitter that converts AC current or voltage to linear DC analog signal by isolating input and output .

The Products comply with GB / T 13850-1998 standard.

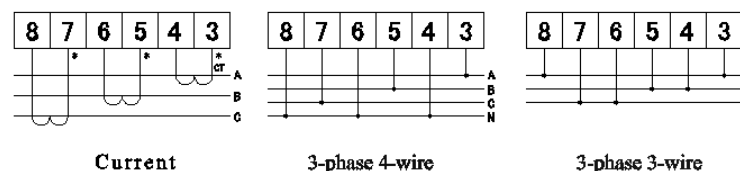
2、 Technical Parameters

Technical Parameters		Index
Accuracy grade		grade 0.5
Input	Signals	Current: AC 1A,5A or User-specified Voltage: AC 100V,380V or User-specified
	Overload	Current: 1.2 times everlasting, 10 times/1s instantaneousness Voltage: 1.2 times everlasting, 2times/1s instantaneousness
	Frequency	45Hz~65Hz
Output	Signals	DC 4~20mA or DC 0~5V or User-specified
	Load	current Output≤500Ω Voltage Output≥1000Ω
	Optional Function	RS485 Communication (Requiring the user to specify the communication address and baud rate)
Response time		≤400ms
Power source	Range	AC/DC 85~265V or DC 24V or DC48V
Isolation voltage		Power Supply / Input / Output 2kV/1min
Temperature coefficient		≤200PPM/°C
Conditions	Temperature	Working temperature: -10°C~55°C Storage temperature: -25°C~70°C
	Humidity	≤93%RH, no condensate, Non-corrosive gas place
	Altitude	≤2500m
Installation Method		TS35mm rail-mounted or Screw fixation

3、 Dimension



4、 Wiring method



Analog Output			
A03	A02	A01	COM1
14	12	10	9

POWER	
N(←)	L(→)
2	1

Headquarters: Acrel Electric Holding Co., Ltd.
 Address: Yulv Road 253, Madong Industrial Park, Jiading, Shanghai
 Tel: (86) 21-69158321 69158322 69158323
 Fax: (86) 21-69158303 PC: 201801
 Service hotline: 800-820-6632
 Http: //www.acrel.cn
 E-mail: ACREL001@vip.163.com